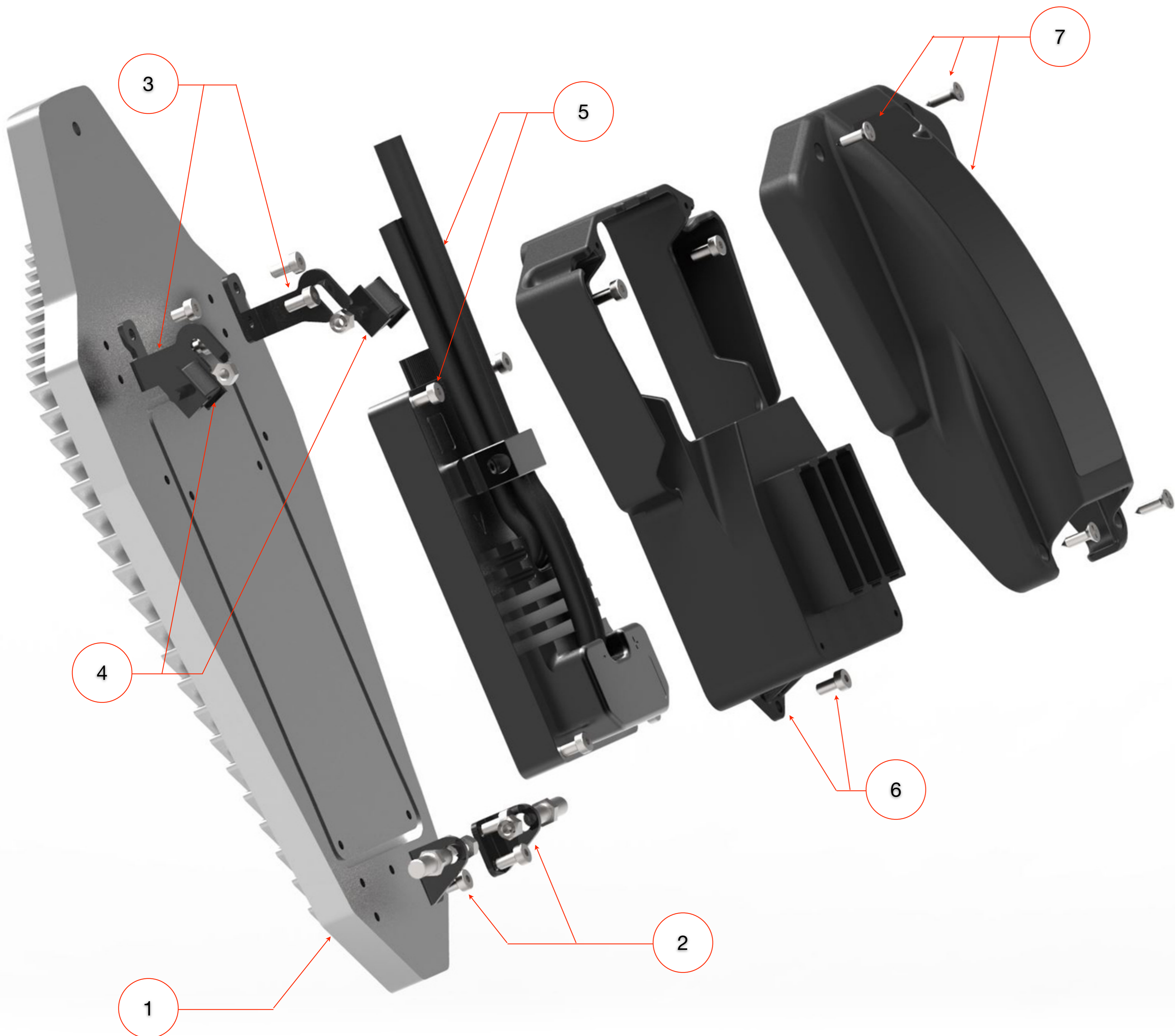


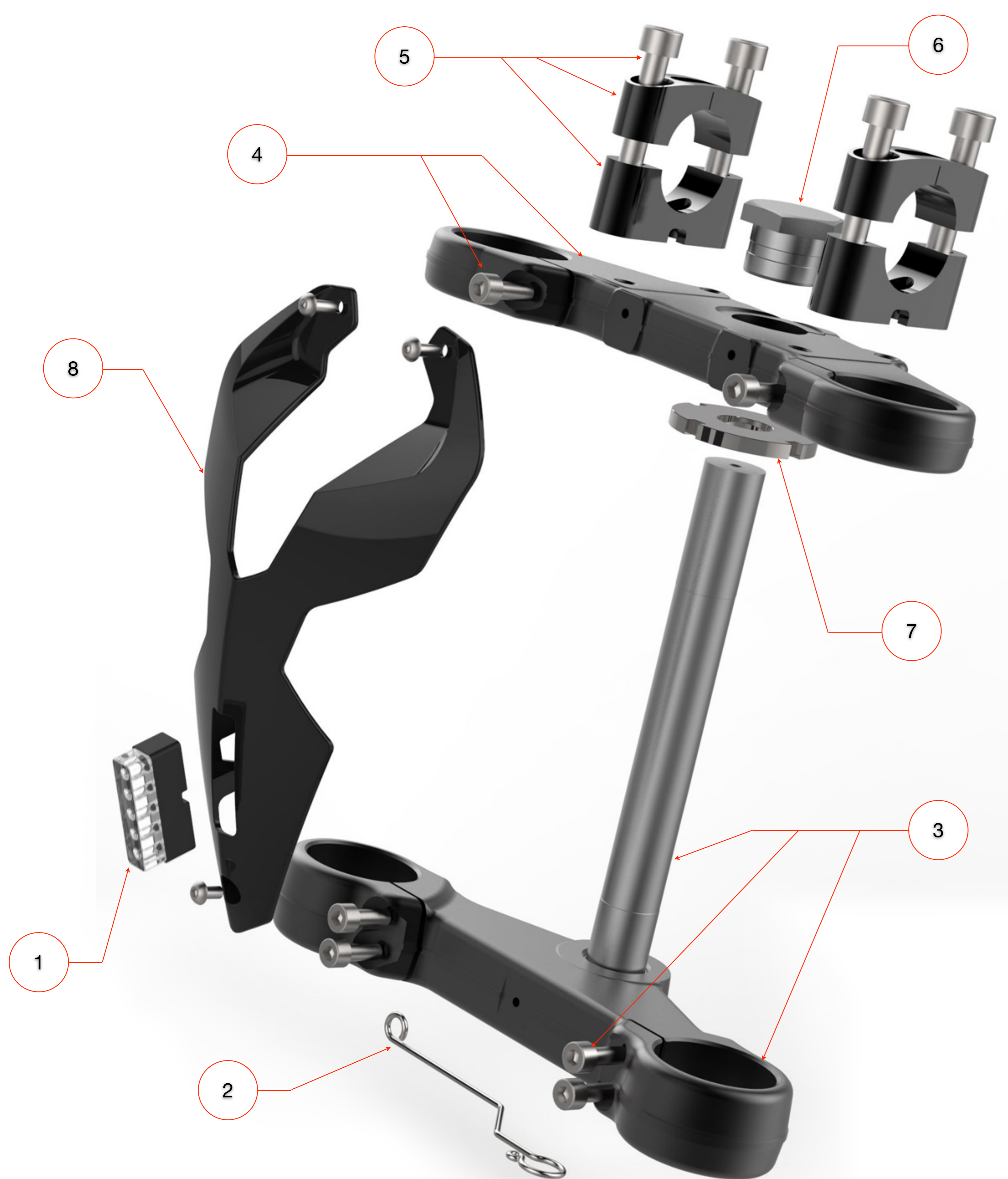
CENTRAL CARTER - CARTER CENTRAL			
POS	REFERENCE	INCLUDED PARTS	UNITS
1	2_1_001_D3	Center crankcase - Carter central	x 1
2	2_1_002_D3	Bushing - Casquillo	x 1
3	2_1_003_D3	Cross rod - Varilla transversal	x 1
4	2_9_001_D3	Skid plate - Placa protectora	x 1
5	2_9_002RD3	Lower left busher - Casquillo inferior izquierdo	x 1
		Lower right busher - Casquillo inferior derecho	x 1
		Screws - Tornillos	x 2
6	2_9_004RD3	Upper busher - Casquillo superior	x 2
		Screws - Tornillos	x 2
7	2_9_004_D3	Screw - Tornillo	x 2
8	2_1_004RD3	Lid - Tapón	x 1
		Gasket - Arandela	x 1
9	OR-080-150-50	O ring - Tórica	x 1





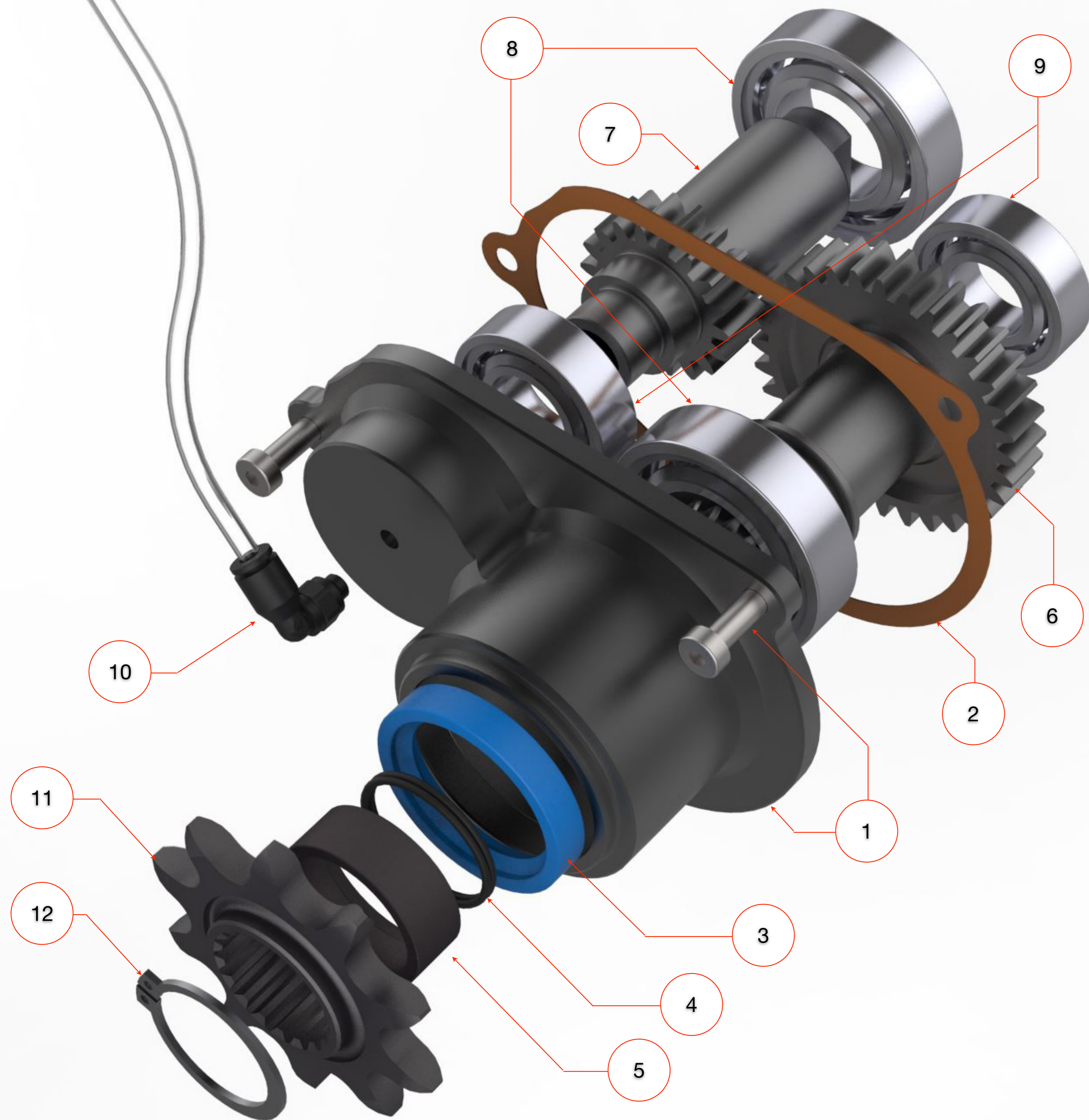
CONTROLLER - CONTROLADORA			
POS	REFERENCE	INCLUDED PARTS	UNITS
1	3_2_001_D3	Heatsink plate - Placa disipadora	x 1
2	3_2_006RD3	Bottom right support - Soporte inferior derecho	x 1
		Bottom left support - Soporte inferior izquierdo	x 1
		Row bolt - Perno fijador	x 2
		Screws - Tornillos	x 4
3	3_2_004D3	Nuts - Tuercas	x 2
		Upper right support - Soporte superior derecho	x 1
		Upper left support - Soporte superior izquierdo	x 1
4	3_2_060RD3	Screws - Tornillos	x 4
		Silentblock - Silentblock	x 2
5	3_2_050RD3	Nuts - Tuercas	x 4
		Controller - Controladora	x 1
6	3_2_011RD3	Screws- Tornillos	x 4
		Controller box - Caja controladora	x 1
7	3_2_012RD3	Screws - Tornillos	x 3
		Controller cover - Tapa controladora	x 1
		Screws - Tornillos	x 4





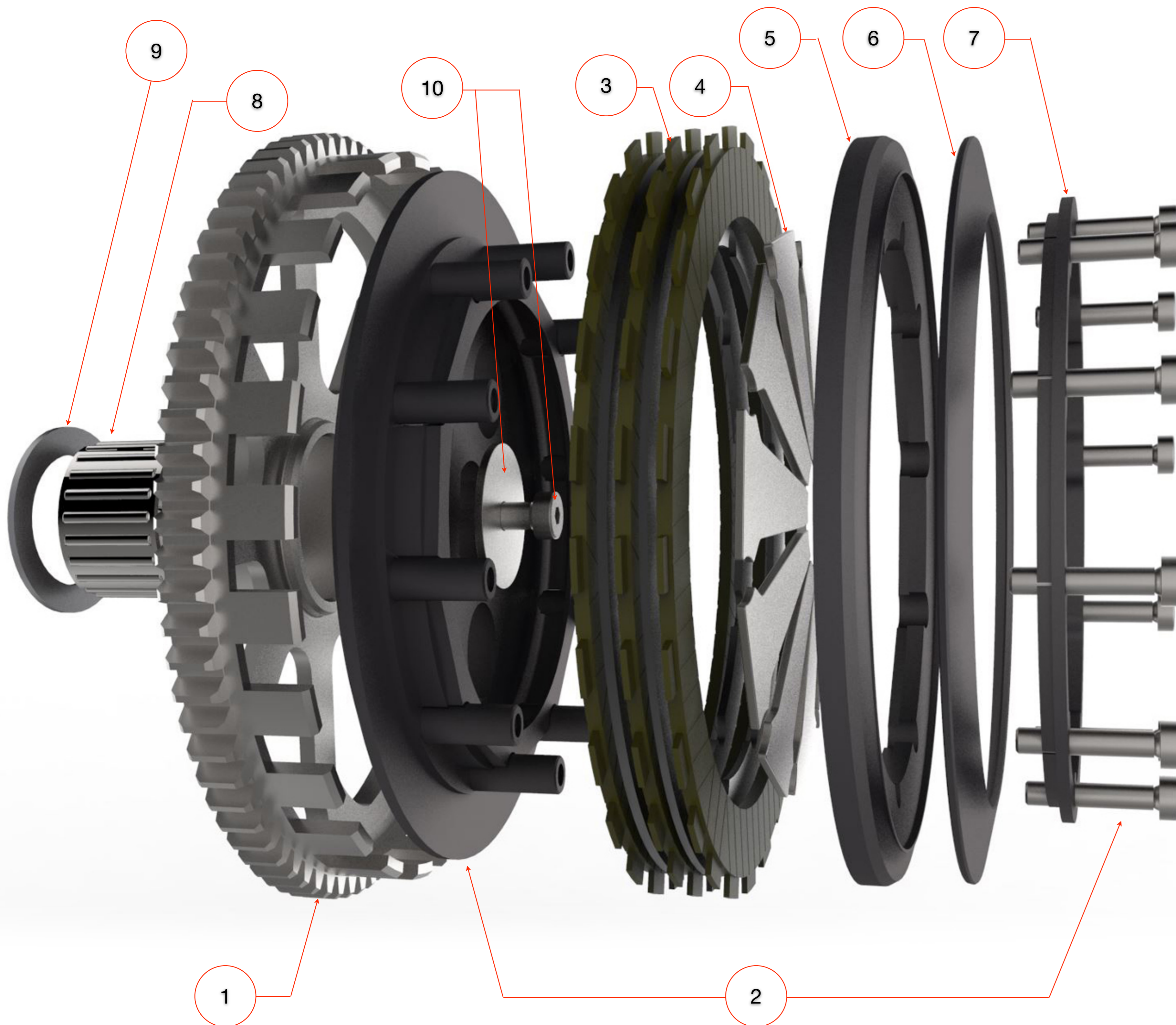
STEERING - DIRECCION			
POS	REFERENCE	INCLUDED PARTS	UNITS
1	3_8_000_D3	Front Led - Led delantero	x 1
2	5_2_001_D3	Guide - Guia	x 1
3	5_4_002RD3	Bottom plate - Pletina inferior	x 1
		Axle - Eje direccion	x 1
4	5_4_001RD3	Screws - Tornillos	x 5
		Upper plate - Pletina superior	x 1
5	5_4_004RD3	Screws - Tornillos	x 5
		Upper flange - Brida superior	x 2
		Bottom flange - Brida inferior	x 2
6	5_4_006RD3	Screws - Tornillos	x 3
7	5_4_007RD3	Fixing nut - Tuerca de fijación	x 1
8	6_1_001RD3	Adjustment nut - Tuerca de ajuste	x 1
		Front mask - Máscara frontal	x 1
		Screws - Tornillos	x 3





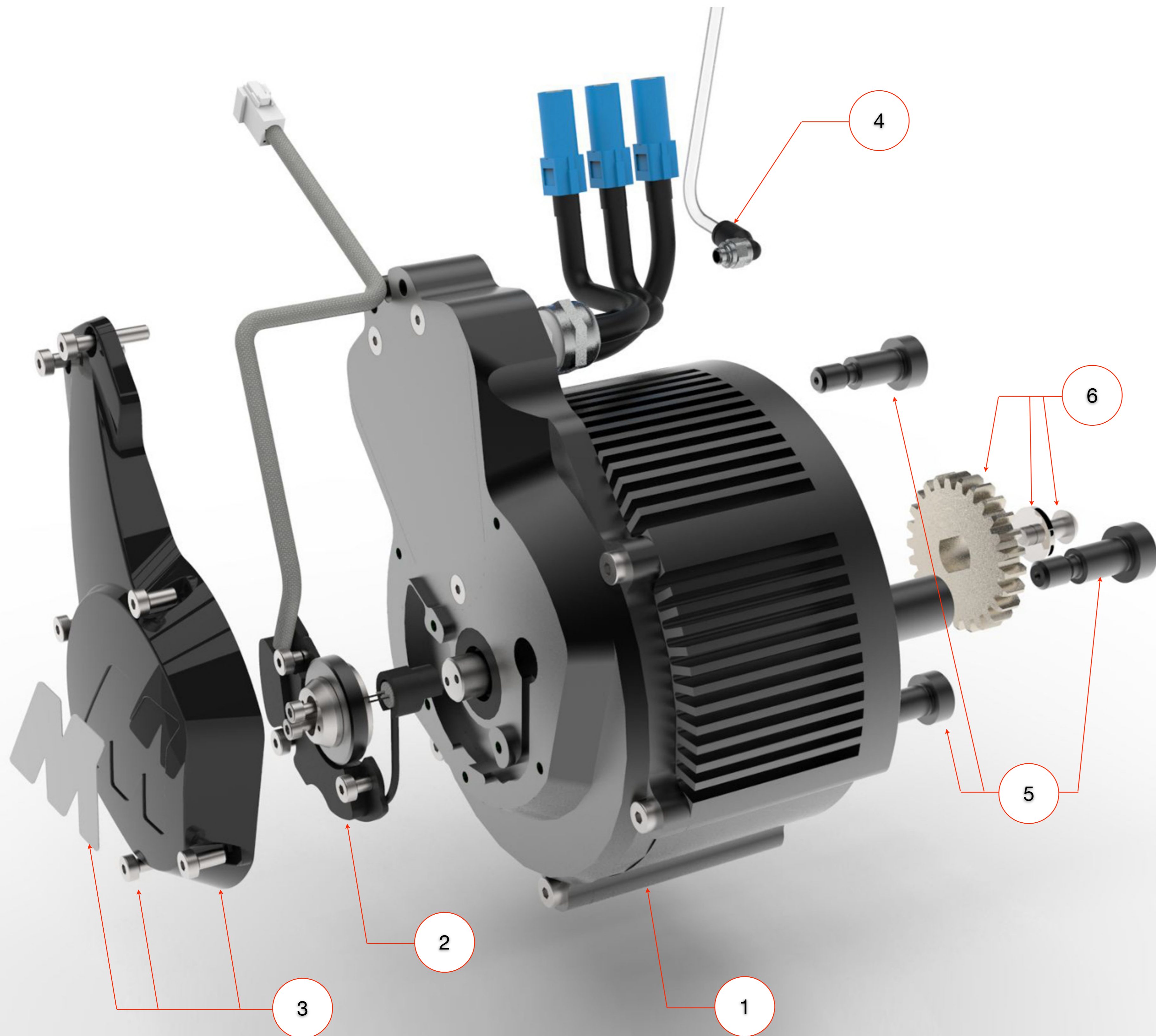
TRANSMISSION - TRANSMISION			
POS	REFERENCE	INCLUDED PARTS	UNITS
1	2_5_001RD3	Transmission carter - Carter transmisión	x 1
		Screws - Tornillos	x 3
2	2_5_002_D3	Gasket - Junta	x 1
3	RT3040007_2_50Z	Seal - Retén	x 1
4	OR025_150_50	O ring - Tórica	x 2
5	2_2_001_D3	Bushing - Casquillo salida	x 1
6	2_2_009_D3	Secondary shaft - Eje secundario	x 1
7	2_8_001_D3	Primary shaft - Eje primario	x 1
8	16005_00_07_Z	Bearing - Rodamiento	x 2
9	16003_00_07_Z	Bearing - Rodamiento	x 2
10	2_5_003RD3	Fitting 90° - Racor 90°	x 1
		Tube - Tubo	x 1
11	2_2_004_D3	Sprocket - Piñón de salida	x 1
12	10471251_200	Retainer - Anillo elástico	x 1





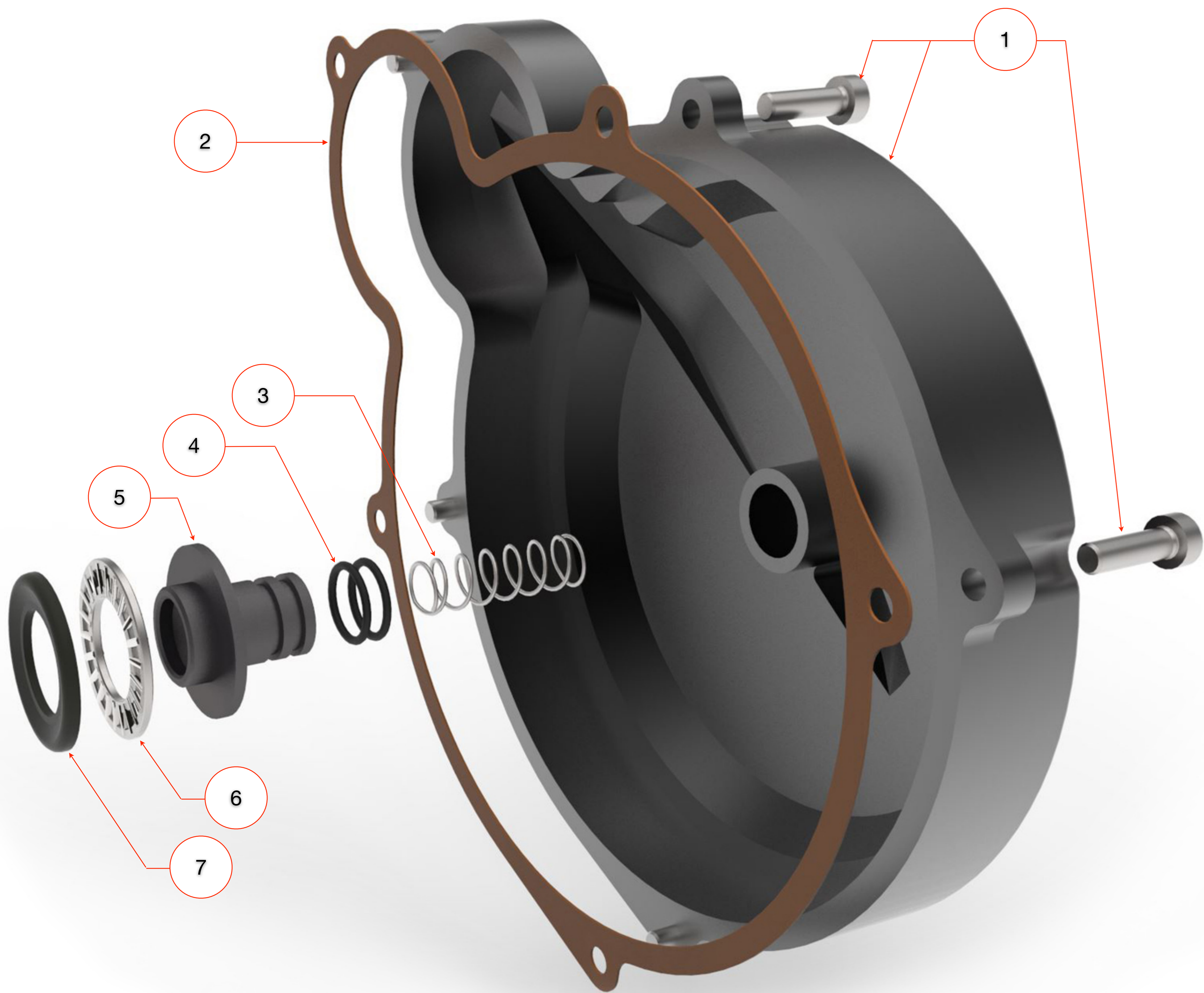
EMBRAGUE / CLUTCH			
POS	REFERENCE	INCLUDED PARTS	UNITS
1	2_3_001_D3	Clutch crown - Corona embrague	x 1
2	2_4_001RD3	Clutch plate - Plato embrague	x 1
		Screws - Tornillos	x 10
3	2_4_100_D3	Clutch kit - Kit embrague	x 1
4	2_4_003RD3	Diaphragm - Diafragma	10
5	2_4_002_D3	Clutch press - Prensa embrague	x 1
6	2_4_004_D3	Spring - Muelle	x 1
7	2_4_008_D3	Fixation ring - Aro de fijación	x 1
8	RK25_30_20_0	Bearing - Rodamiento	x 1
9	2_3_002_D3	Washer - Arandela	x 1
10	2_4_007_D3	Washer - Arandela	x 1
		Screw - Tornillo	x 1





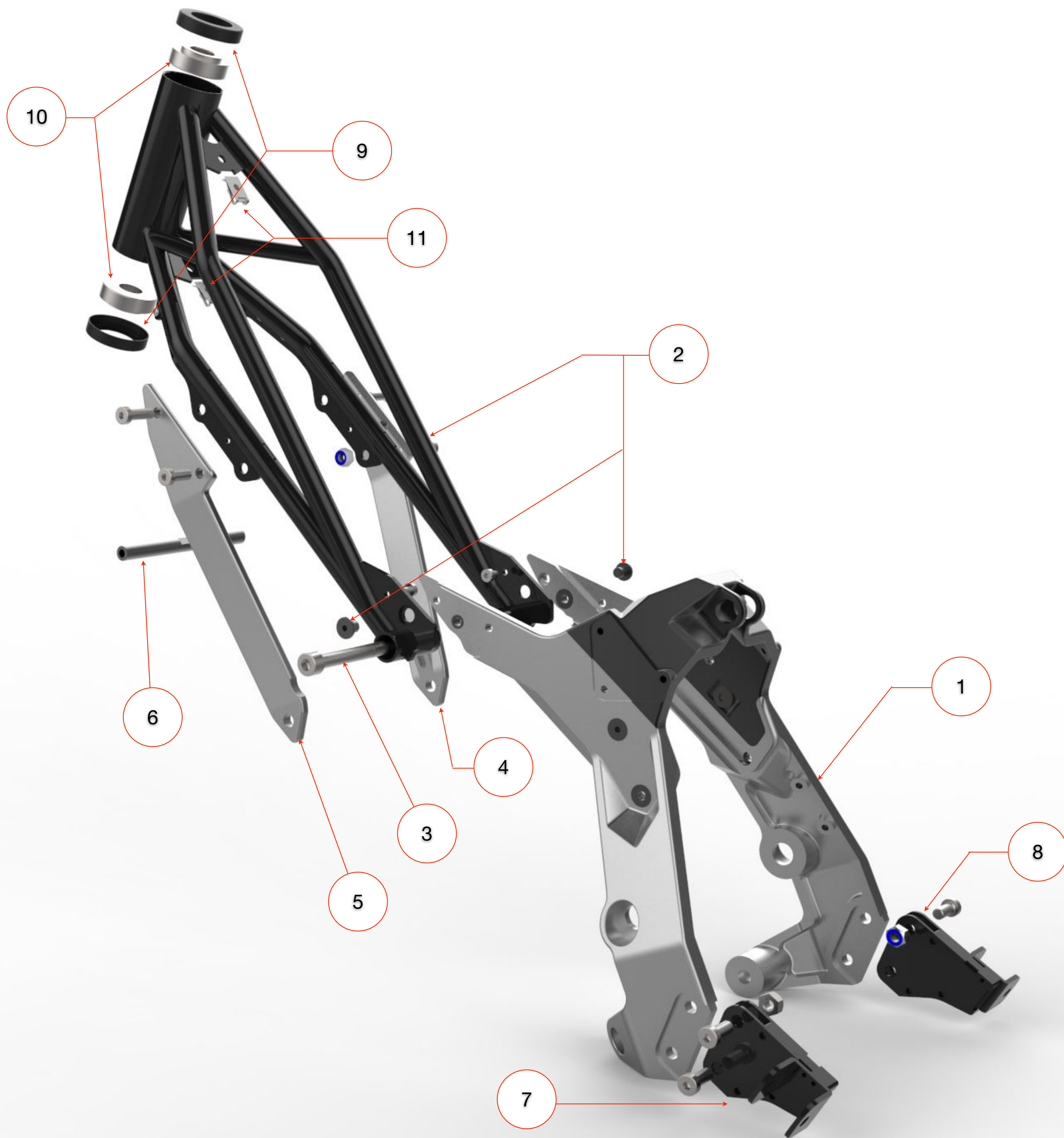
MOTOR - MOTOR			
POS	REFERENCE	INCLUDED PARTS	UNITS
1	1_0_001RD3	Motor - Motor	x 1
2	1_3_005RD3	Sensor - Sensor	x 1
		Screws - Tornillos	x 3
3	1_5_001RD3	Cover - Tapa	x 1
		Screws - Tornillos	x 6
		Sticker - Adhesivo	x 1
4	2_5_050RD3	Fitting 90° - Racor 90°	x 1
		Tube - Tubo	x 1
5	1_2_000TD3	Screws - Tornillos	x 3
6	1_4_006RD3	Sprocket - Piñón	x 1
		Screw - Tornillo	x 1
		Washer - Arandela	x 1





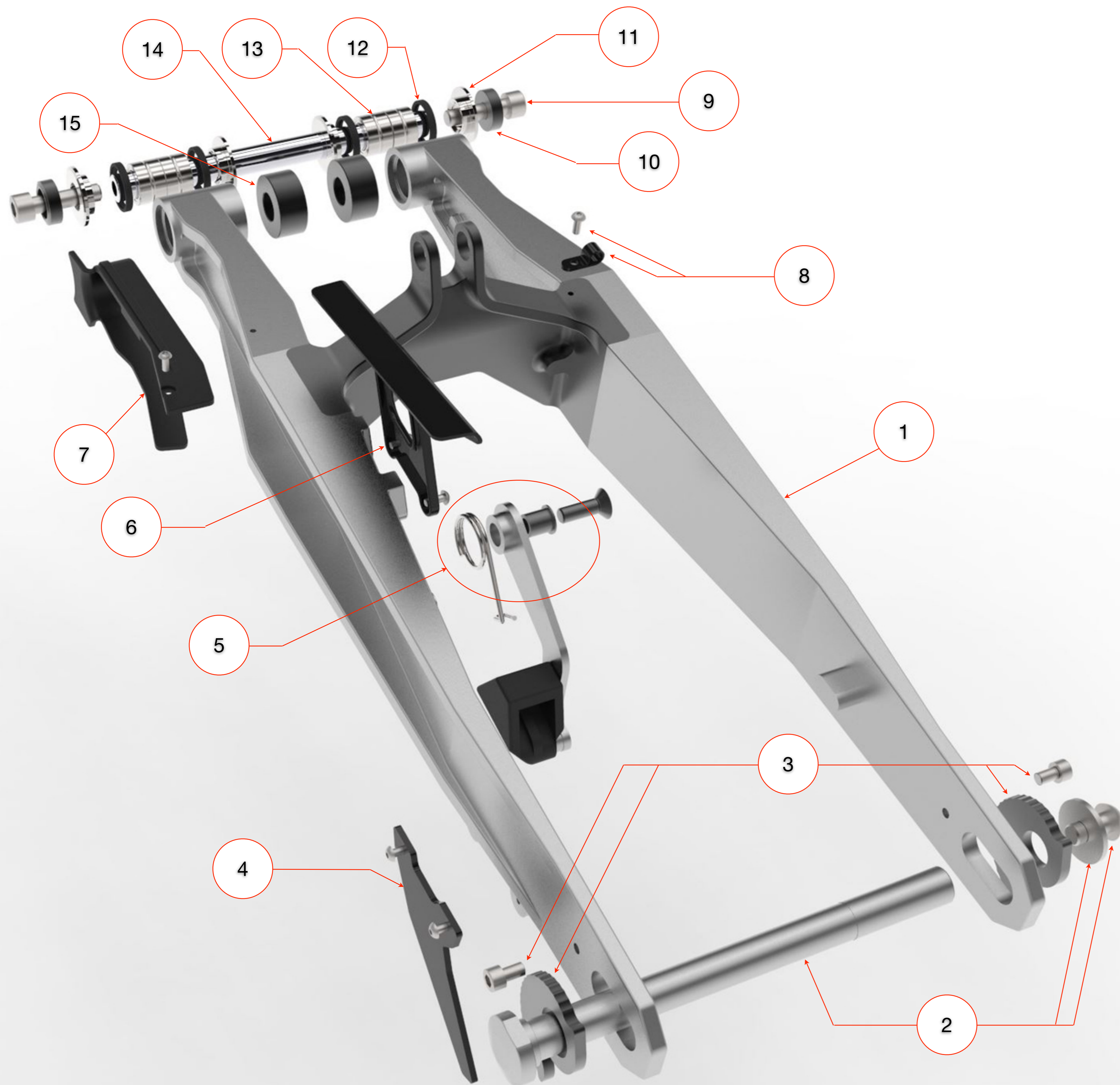
CLUTCH COVER - TAPA EMBRAGUE			
POS	REFERENCE	INCLUDED PARTS	UNITS
1	2_7_001RD3	Clutch cover / Tapa embrague	x 1
		Screws / Tornillos	x 5
2	2_7_002_D3	Gasket / Junta	x 1
3	2_6_003_D3	Pusher spring / Muelle empujador	x 1
4	OR011_150R50	O Ring / O Ring	x 2
5	2_6_001_D3	Pusher piston / Piston empujador	x 1
6	AXK1730_00_0	Bearing / Rodamiento	x 1
7	2_6_002_D3	Pusher washer / Arandela empujador	x 1





FRAME - CHASIS			
POS	REFERENCE	INCLUDED PARTS	UNITS
1	5_002RD3	Aluminium cradle - Cuna de aluminio	x 1
2	5_1_000_D3	Tubular chassis - Chasis tubular	x 1
		Fixing bolt - Tetón roscado	x 2
3	10912109000B	Screw - Tornillo	x 1
4	5_1_005RD3	Right tie - Tirante derecho	x 1
		Screws - Tornillos	x 2
		Nut - Tuerca	x 1
5	5_1_006RD3	Left tie - Tirante izquierdo	x 1
		Screws - Tornillos	x 2
		Nut - Tuerca	x 1
6	5_010_D3	Torsion bar - Barra de torsión	x 1
7	5_1_009RD3	Left footrest support - Soporte estribera izquierda	x 1
		Screws - Tornillos	x 2
		Nuts - Tuercas	x2
8	5_1_008RD3	Right footrest support - Soporte estribera derecha	x 1
		Screw - Tornillo	x 1
		Nut - Tuerca	x1
9	6_013_D3	Dust protector - Protector	x 2
10	RC30204_00_0	Bearing - Rodamiento	x 2
11	5_1_300RD3	Plate nut - Tuerca chapa	x 2





SWING ARM - BASCULANTE			
POS	REFERENCE	INCLUDED PARTS	UNITS
1	5_3_001RD3	Swing arm - Basculante	x 1
		Stickers - Adhesivos	x 2
2	4_3_003RD3	Rear whell axle - Eje rueda trasera	x 1
		Washer - Arandela	x 1
		Shaft fixing screw - Tornillo fijacion eje	x 1
3	5_3_011RD3	Right adjuster - Excentrica derecha	x 1
		Left adjuster - Excentrica izquierda	x 1
		Screws - Tornillos	x 2
4	6_9_001RD3	Disc protector - Protector disco	x 1
		Screws - Tornillos	x 2
5	5_3_008RD3	Drive chain stack - Brazo tensor	x 1
		Bushing - Casquillo	x 1
		Spring - Muelle	x 1
		Screws - Tornillos	x 1
6	6_7_001_D3	Chain Protector - Protector cadena	x 1
		Screws - Tornillos	x 2
7	6_10_001RD3	Chain Skid - Patin cadena	x 1
		Screws - Tornillos	x 2
8	R-2T0110507	Brake hose clamp - Brida latiguillo de freno	x 1
		Screws - Tornillos	x 1
9	R-10912104000	Axle screws - Tornillos eje basculante	x 2
10	5_1_013RD3	Lateral bushing - Casquillo lateral	x 2
11	5_3_006RD3	Spacer bushing - Casquillo separador	x 4
12	R-R22284TTO50	Seals - Retenes	x 4
13	R-RNK1616NBS	Bearings - Rodamientos	x 4
14	5_3_007_D3	Swing arm axle - Eje basculante	x 1
15	5_3_004RD3	Bushing - Casquillo	x 2